




NIHOT[®]

SDS-i semi-mobile windshifter



www.nihot.nl



Glass

Nihot Recycling Technology B.V.

Nihot Recycling Technology B.V. was established in 1945 and started its business by producing air ducts for small wood furnaces. Today Nihot is a member of the Bulk Handling Systems (BHS) family of companies and is a proven market leader in the supply of air technology for the solid waste and recycling industries. Nihot's air separators reflect a superior reliability, offering the highest waste separation efficiencies. From consultation and design to manufacture, delivery, installation and ongoing training and support, Nihot's team of in-house experts are with you every step of the way.

Airconomy®

Through choosing Nihot's precise and durable air separation technology, its customers achieve greater performance and profitability – something that we refer to as Airconomy®.

Seeing is believing

We understand and embrace the notion that potential customers prefer to see for themselves what Nihot air separation technologies can achieve on their material streams. This is why we always invite our customers to join us for testing. Nihot has a test center available, and if you'd rather test at your own site, we have one of our SDS-i semi-mobile wind-shifters available.

Applications

Recycling/cleaning/upgrading of the following:

- Commercial and Industrial Waste (C&I)
- Construction and Demolition Waste (C&D)
- Municipal Solid Waste (MSW)
- Automotive Shredder Residue (ASR)
- Waste of Electrical and Electronic Equipment (WEEE)
- Glass
- Packaging Waste
- Compost
- Incinerator Ash
- Biomass
- Metals
- Refuse Derived Fuel / Solid Recovered Fuel (RDF / SRF)
- Fines Upgrading
- Miscellaneous



For videos of some of our references, please visit
www.youtube.com/nihotrecycling

SDS-i semi-mobile windshifters

The Nihot SDS-i is able to generate a precise heavy / light separation for a wide range of input materials, including removing contaminants from high-value commodities in an MSW stream. Whether you're removing inerts from biomass or compost, or processing glass, incinerator ash or Automotive Shredder Residue (ASR), the SDS-i will be of great value.

With capacities up to 15 t/h and a fraction size up to +/-150 mm, the SDS-i is truly multifunctional, especially because of its flexible settings of control parameters. With the widely acclaimed separation yields (by means of negative pressure), this unit will guarantee a fast return on investment. There are two available sizes; SDS 650-i and SDS 800-i.

Advantages SDS-i

- The SDS-i is a semi-mobile air separator in a plug-and-play version with an integrated dust filter and electrical cabinet, and is fitted with extendable support legs
- Fast and easy to install:
Operational within 30 minutes of delivery
- Versatility: Can process a large variety of waste streams
- Fraction size capability from 0-15 mm up to 0-150 mm
- Low dust emissions
- Adjustability: It's easy to change settings during operation
- Transportation efficiency:
Fits in a semi-trailer or 40' container
- This unit can also be used in a static application





Compost

Flexibility

The SDS-i is a flexible semi-mobile windshifter, aimed at operators who require a high-performing, versatile machine that remains easy to transport. This is of high value due to following characteristics:

- Can be incorporated into new system layouts or retrofitted into existing systems
- Can create a 3-way separation within 5 minutes, example:

1st setting

Input: C&I material

Light fraction: wood, cardboard, paper, plastic, HDPE, film, rubber

Heavy fraction: aggregate

2nd setting

Input: Light fraction from 1st setting

Light fraction: cardboard, paper, plastic, HDPE, film

Heavy fraction: wood, rubber

- Diverse in fraction size capacities, from 0-15 mm up to 0-150 mm
- Semi-mobile for flexible operation



Glass



RDF



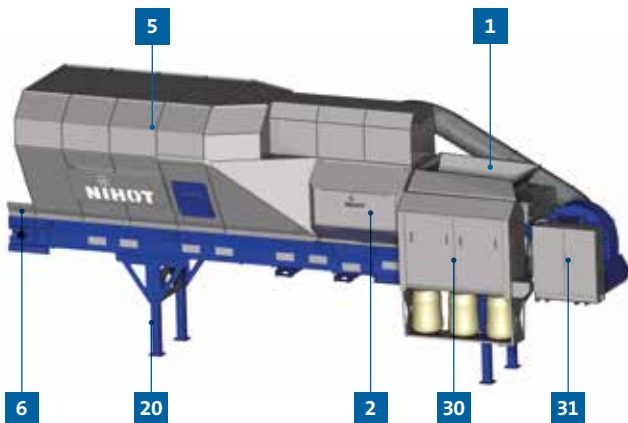
C&D

Process SDS-i

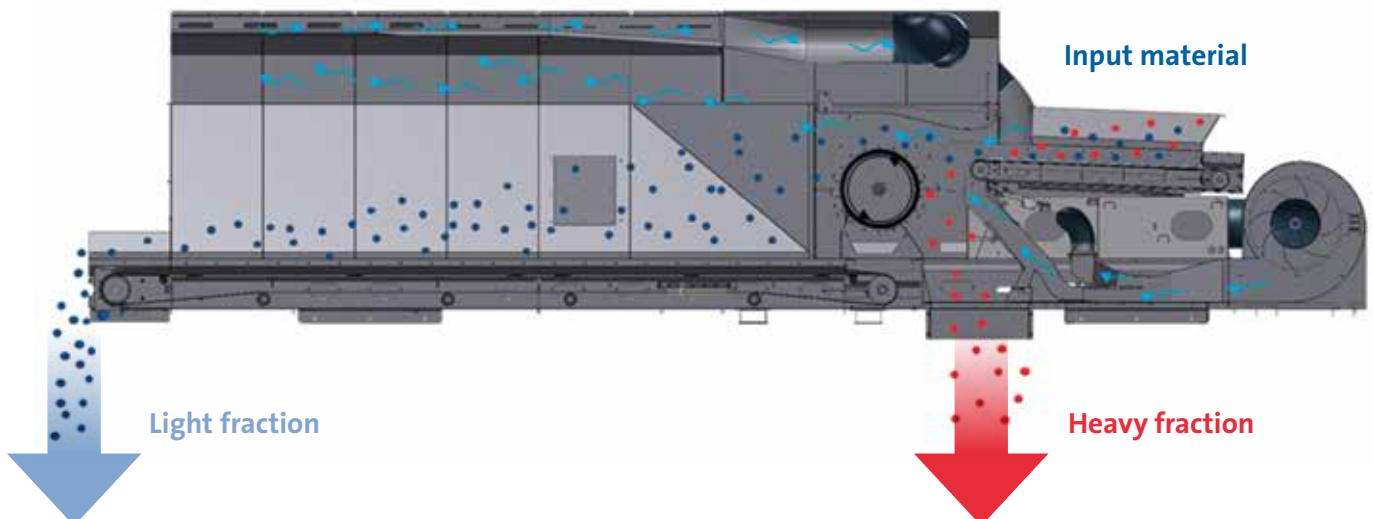
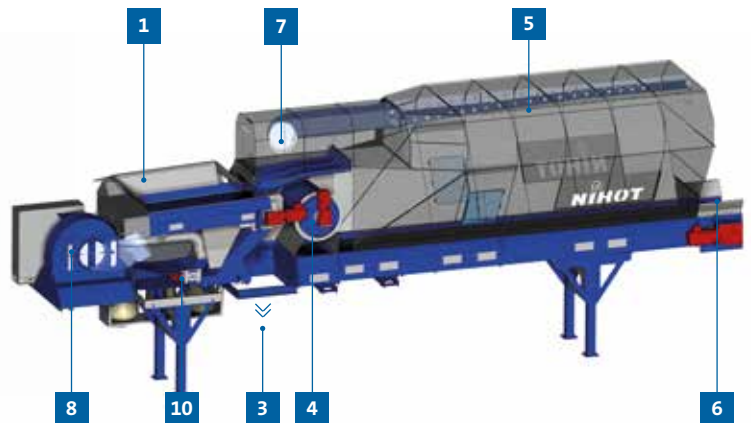
The input material is transported by a frequency controlled input conveyor (1) into the drum separation unit (2), where the separation takes place. Heavier materials will fall down (3) before the rotating drum (4) and against the air flow. Lighter materials are aspirated upwards and conveyed over the rotating drum and into the expansion chamber (5). Inside the expansion chamber, the air expands and slows down and the light materials drop onto the light fraction discharge conveyor belt (6) and is discharged outside of the expansion chamber. The expanded air inside the expansion chamber is

returned (7) to the recirculation fan (8). From the fan the air is partially directed by means of a diverter valve (10) to an integrated dust filter (30). Approximately 70% of the returned air is blown back into the drum separation unit (2). Air is recirculated to support precise separation and to reduce the filter size. The whole unit is mounted on a skid with extendable support legs (20) and is equipped with an integrated electrical cabinet (31).

SDS 650-i



SDS 800-i



Testing on site

Nihot has an SDS-i available to test the separation efficiency at your site with your waste input. As we like to say, **seeing is believing** – and we're ready to back up our superior technology!



Curious? For more information about testing at your own location, please contact Nihot.

More than 50% of tests result in a long-term purchase decision.



Nihot Recycling Technology B.V.

Generatorstraat 16
1014 AT Amsterdam
The Netherlands
Telephone: +31 (0) 20 58 220 30
E-mail: info@nihot.nl

www.nihot.nl